

2MP WDR Vandal-resistant Network IR Fixed Dome Camera

IPC322ER3-DVPF28 (36) (60)



Key Features

Optics

- Day/night functionality
- Smart IR, up to 30 m (98 ft) IR distance
- Up to 120 dB WDR (Wide Dynamic Range)
- 3D DNR (Digital Noise Reduction)

Compression

- Triple streams
- ROI (Region of Interest)
- Customized OSD

Network

- ONVIF Conformance

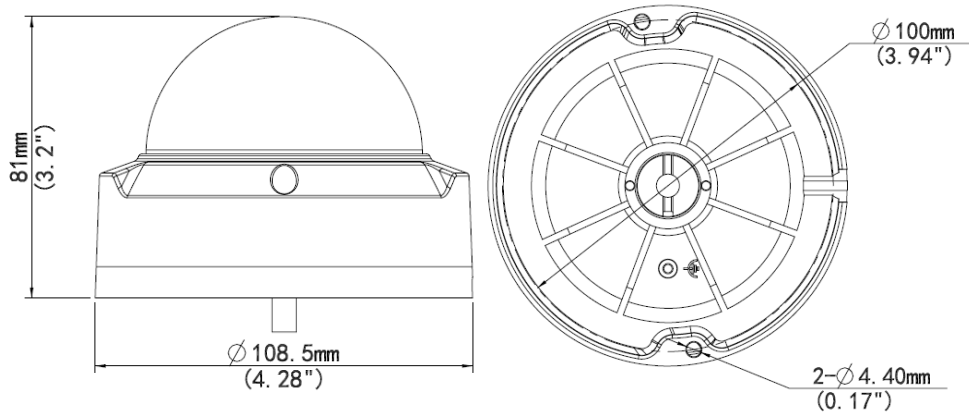
Structure

- Wide temperature range: -35°C to 60°C (-31°F to 140°F)
- Wide input voltage range of $\pm 25\%$
- IK10 vandal resistant
- IP66

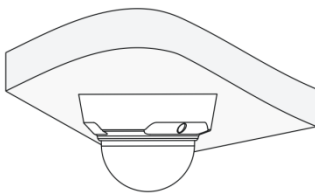
Specifications

	IPC322ER3-DVVF28	IPC322ER3-DVVF36	IPC322ER3-DVVF60
Camera			
Sensor	1/2.7", 2 megapixel, progressive scan CMOS		
Lens	2.8 mm@F2.0	3.6 mm@F2.0	6.0 mm@F2.0
Angle of View (H)	109.9°	84°	54.9°
Shutter	Auto/Manual, 1/6~1/8000 s		
Min. Illumination	Colour: 0.02 Lux (F2.0, AGC ON) 0 Lux with IR		
Day/Night	IR-cut filter with auto switch (ICR)		
S/N	>52 dB		
WDR	Optical WDR(up to 120dB)		
Video			
Max. Resolution	1920 × 1080		
Video Compression	H.264, MJPEG		
Frame Rate	1080P (1920*1080): MAX. 30 fps; 720P (1280*720): MAX. 30 fps		
Video Streaming	Triple		
9:16 Corridor Mode	Supported		
ROI	Supported		
OSD	Up to 8 OSDs		
Privacy Mask	Up to 8 areas		
Audio			
Audio Compression	G.711		
Two-way audio	Supported		
Storage			
Edge Storage	Micro SD, up to 128 GB		
Network			
Protocols	L2TP, IPv4, IGMP, ICMP, ARP, TCP, UDP, DHCP, PPPoE, RTP, RTSP, NTP, FTP, HTTP		
Compatible Integration	ONVIF, API		
Interface			
Audio I/O	Input: impedance 35 kΩ; amplitude 2 V [p-p]		
	Output: impedance 600 Ω; amplitude 2 V [p-p]		
Alarm I/O	1/ 1		
Network	10M/100M Base-TX Ethernet		
General			
Power	12 V DC, or PoE (IEEE802.3 af)		
	Power consumption: Max 5.5W		
Dimensions (Ø x H)	Ø108.5 x 81 mm (Ø4.28" x 3.2")		
Weight	0.45 kg (0.99 lb)		
Working Environment	-35°C ~ +60°C (-31°F ~ 140°F), Humidity ≤ 90% RH(non-condensing)		
Ingress Protection	IP66		
Vandal Resistant	IK10		

Dimensions



Installation



Ceiling mount

Accessories

Installation mode	Accessories	Description
Ceiling mount	Mounting pedestal is included in the Product package	\

Zhejiang Uniview Technologies Co., Ltd.

South Tower, Building 10, Wanlun Science Park, 88 Jiangling Road, Hangzhou, P.R.China 310051

Email: overseasbusiness@uniview.com; globalsupport@uniview.com

<http://www.uniview.com>

©2016 Zhejiang Uniview Technologies Co., Ltd. All rights reserved.

*Product specifications and availability are subject to change without notice.