

# IPC321S-IR-F36(60)-IN 1.3MP Network IR Fixed Dome IP Camera



## Key Features

### Optics

- Day/night functionality
- Smart IR, up to 30 m (98 ft) IR distance
- 3D noise reduction

### Compression

- Dual streams
- ROI (Region of Interest)
- Customized OSD

### Network

- NAA (Network Auto-Adaptability) to cope with network packet loss
- UNP(Universal Network Passport) patented technology for NAT traversal
- Dual direct-to-iSCSI data block storage
- ONVIF Conformance

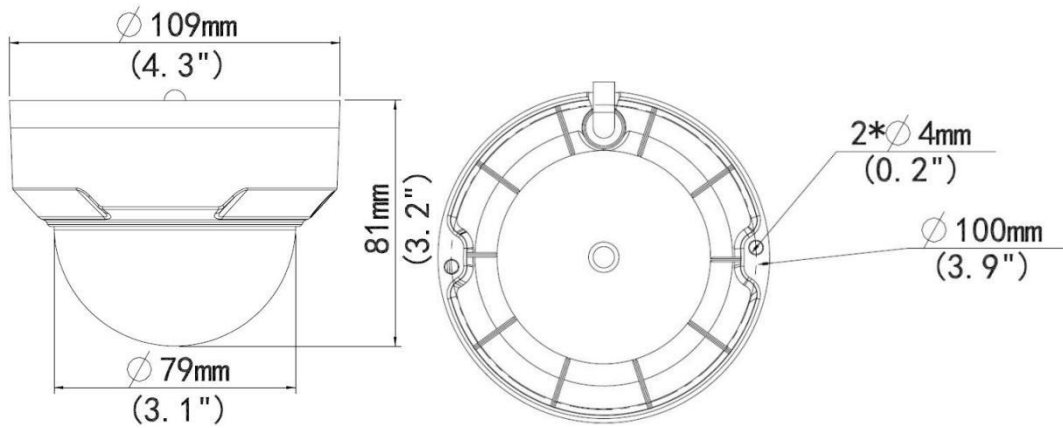
### Structure

- Wide temperature range: -35°C to 60°C (-31°F to 140°F)
- Wide input voltage range of  $\pm 25\%$

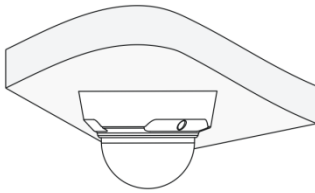
## Specifications

|                        |   |                   |
|------------------------|---|-------------------|
| Camera                 | IPC321S-IR-F36-IN   | IPC321S-IR-F60-IN |
| Sensor                 | 1/3", 1.3Megapixel, progressive scan CMOS                                     |                   |
| Shutter                | Auto/Manual, 1/6~1/8000 s   |                   |
| Lens                   | 3.6 mm  | 6 mm              |
| Angle of View (H)      | 78°   | 48°               |
| Day/Night              | IR-cut filter with auto switch (ICR)  |                   |
| Min. Illumination      | Color: 0.06 Lux (F1.6, 50IRE)<br>Black & White: 0.03Lux (F1.6, 50IRE)         |                   |
| S/N                    | >50dB   |                   |
| Image Rotation         | Support   |                   |
| <b>Video</b>           |   |                   |
| Max. Resolution        | 1280 × 960  |                   |
| Video Compression      | H.264,MJPEG   |                   |
| Frame Rate             | 960P (1280*960) 30 fps; 720P (1280*720) 30 fps; D1 (720*576) 25 fps           |                   |
| Video Streaming        | Dual  |                   |
| OSD                    | Up to 8 OSDs  |                   |
| Privacy Mask           | Up to 4 areas   |                   |
| <b>Storage</b>         |   |                   |
| Back-end Storage       | Dual direct-to-iSCSI data block storage                                       |                   |
| <b>Network</b>         |   |                   |
| Protocols              | L2TP,IPv4,IGMP,ICMP,ARP,TCP,UDP,DHCP,PPPoE,RTP,RTSP,Qos,NTP,FTP,HTTP,SNMP,SIP |                   |
| Compatible Integration | ONVIF, IMOS,API   |                   |
| <b>Interface</b>       |   |                   |
| Network                | 10M/100M Base-TX Ethernet   |                   |
| <b>General</b>         |   |                   |
| Power Supply           | 12 V DC, or PoE (IEEE802.3 af)  |                   |
|                        | Power consumption: 3.5 W (with IR on: extra 2 W)                              |                   |
| Dimensions (Ø x H)     | Ø109 x 81 mm (Ø4.3" x 3.2")   |                   |
| Weight                 | 0.45 kg (0.99 lb)   |                   |
| Working Environment    | -35°C ~ +60°C (-31°F ~ 140°F), Humidity ≤ 90% RH(non-condensing)              |                   |

## Dimensions



## Installation



Ceiling mount

## Accessories

| Installation mode | Accessories  | Description |
|-------------------|--|-------------|
| Ceiling mount     | Mounting pedestal is included in the Product package | /           |

### Zhejiang Uniview Technologies Co., Ltd.

South Tower, Building 10, Wanlun Science Park, 88 Jiangling Road, Hangzhou, P.R.China 310051

Email: [overseasbusiness@uniview.com](mailto:overseasbusiness@uniview.com); [globalsupport@uniview.com](mailto:globalsupport@uniview.com)

<http://www.uniview.com>

©2014 Zhejiang Uniview Technologies Co., Ltd. All rights reserved.

\*Product specifications and availability are subject to change without notice.