

IPC221S-IR-F60(120)-IN 1.3MP Network IR Bullet Camera



Key Features

Optics

- Day/night functionality
- Smart IR, up to 30m (98 ft) IR distance
- Optical glass window with higher light transmittance
- IR anti-reflection window to increase the infrared transmittance
- 3D DNR (Digital Noise Reduction)

Compression

- Dual streams
- ROI (Region of Interest)
- 9:16 corridor mode
- Customized OSD

Network

- NAA (Network Auto-Adaptability) to cope with up to 5% network packet loss
- UNP(Universal Network Passport) patented technology for NAT traversal
- Dual direct-to-iSCSI data block storage
- ONVIF Conformance

Structure

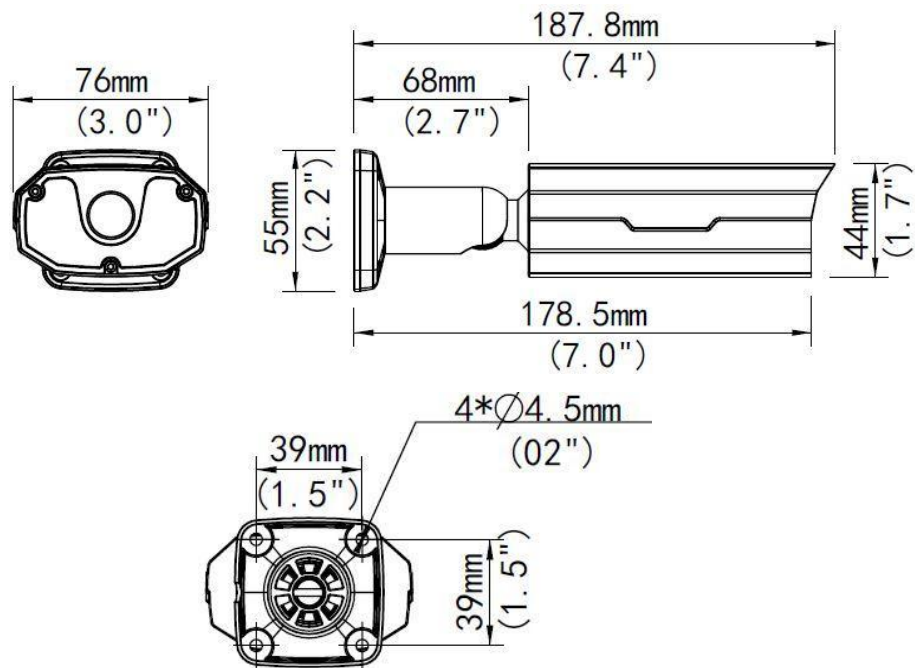
- Wide temperature range: -35°C to 60°C (-31°F to 140°F)
- Wide voltage range of $\pm 25\%$

- IP66-rated

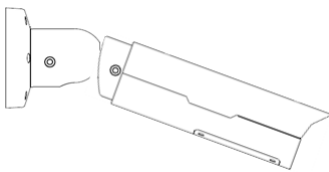
Specifications

Camera	IPC221S-IR-F60 -IN	IPC221S-IR-F120 -IN
Sensor	1/3", 1.3Megapixel, progressive scan CMOS	
Shutter	Auto/Manual, 1/6~1/8000s	
Lens	6 mm	12 mm
Angle of View (H)	48°	26.3°
Day/Night	IR-cut filter with auto switch (ICR)	
Min. Illumination	Color: 0.06 Lux (F1.6, 50IRE) Black & White: 0.03Lux (F1.6, 50IRE)	
S/N	>50dB	
Image Rotation	Support	
Video		
Max. Resolution	1280 × 960	
Video Compression	H.264,MJPEG	
Frame Rate	960P (1280*960) 30 fps; 720P (1280*720) 30 fps; D1 (720*576) 25 fps	
9:16 Corridor Mode	Support	
ROI	Support	
Video Streaming	Dual	
OSD	Up to 8 OSDs	
Privacy Mask	Up to 4 areas	
Storage		
Back-end Storage	Dual direct-to-iSCSI data block storage	
Network		
Protocols	L2TP,IPv4,IGMP,ICMP,ARP,TCP,UDP,DHCP,PPPoE,RTP,RTSP,Qos,NTP,FTP,HTTP,SNMP,SIP	
Compatible Integration	ONVIF, IMOS,API	
Interface		
Network	10M/100M Base-TX Ethernet	
General		
Power Supply	12 V DC	
	Power consumption: 3.5 W (with IR on: extra 4 W)	
Dimensions (L × W × H)	187.8 × 76 × 44 mm (7.4" × 3.0" × 1.7")	
Weight	0.58 kg (1.3 lb)	
Working Environment	-35°C ~ +60°C (-31°F ~ 140°F), Humidity ≤ 90% RH(non-condensing)	
Ingress Protection	IP66	

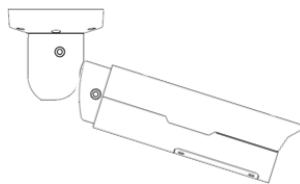
Dimensions



Installation



Wall mount



Ceiling mount

Accessories

Installation mode	Accessories	Description
Wall mount	Mounting pedestal is included in the Product package	
Ceiling mount	Mounting pedestal is included in the Product package	

Zhejiang Uniview Technologies Co., Ltd.

South Tower, Building 10, Wanlun Science Park, 88 Jiangling Road, Hangzhou, P.R.China 310051

Email: overseasbusiness@uniview.com; globalsupport@uniview.com

<http://www.uniview.com>

©2014 Zhejiang Uniview Technologies Co., Ltd. All rights reserved.

*Product specifications and availability are subject to change without notice.